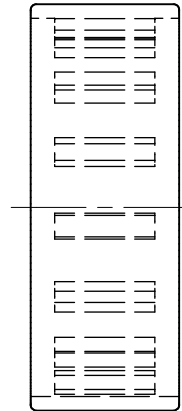
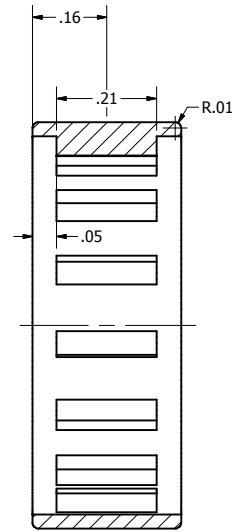
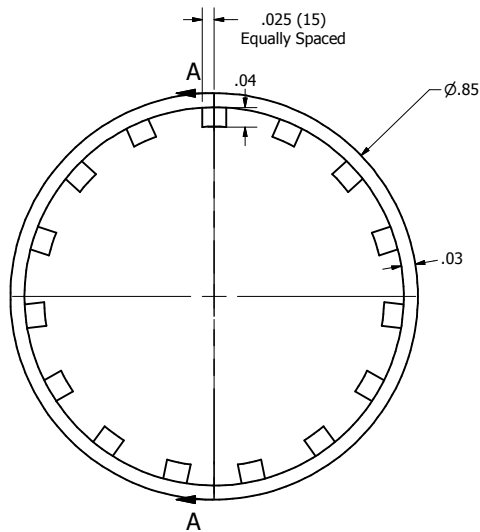
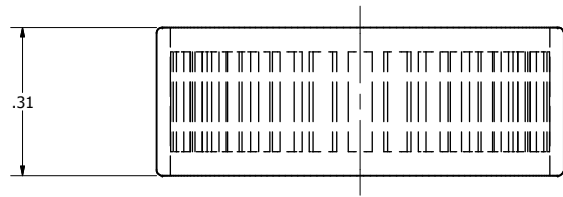
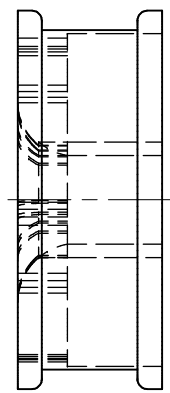
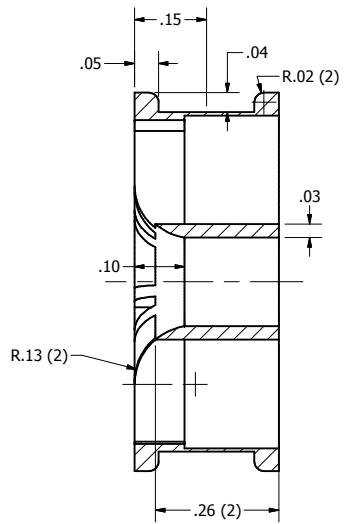
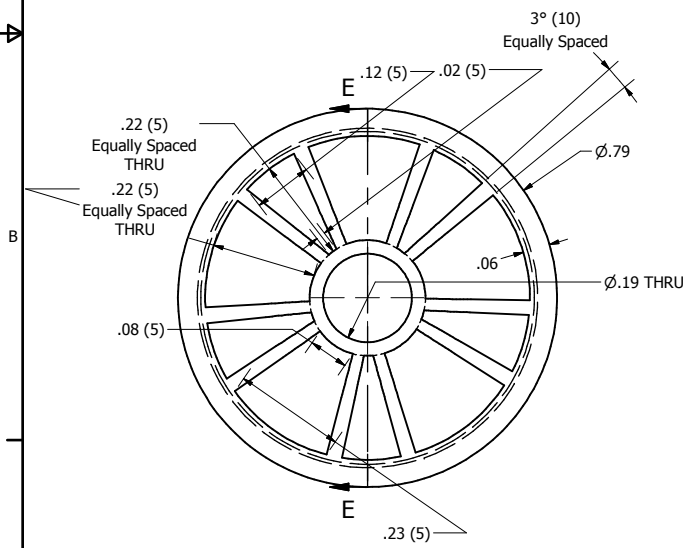
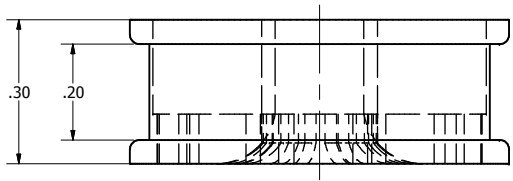


DRAWN eteague	12/3/2013	New Castle Career Center		
CHECKED		TITLE Car		
QA				
MFG				
APPROVED				
		SIZE B	DWG NO Tire DE.	REV
		SCALE	SHEET 1 OF 8	



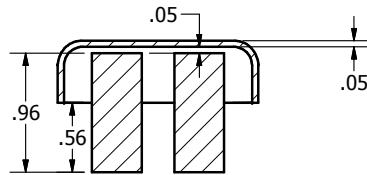
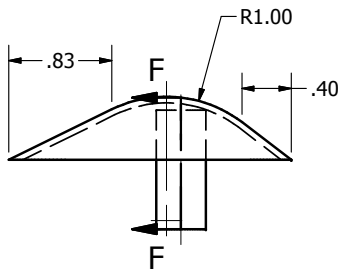
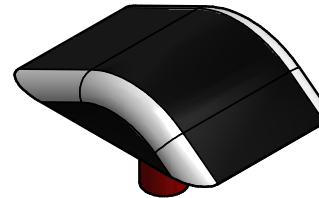
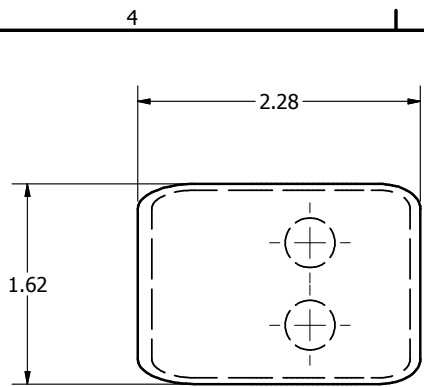
SECTION A-A
SCALE 5 : 1

DRAWN	eteague	12/3/2013	New Castle Career Center	
CHECKED			TITLE	
QA			Tire	
MFG				
APPROVED				
			SIZE	DWG NO
			C	Tire DE.
			SCALE	REV

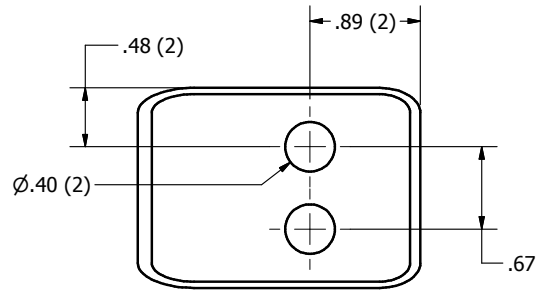
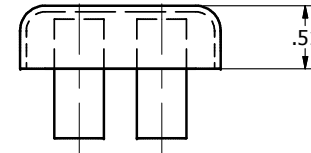


SECTION E-E
SCALE 5 : 1

DRAWN eteague	12/3/2013	New Castle Career Center		
CHECKED		TITLE		
QA		Rim		
MFG		SIZE	DWG NO	REV
APPROVED		C	Tire DE.	
SCALE		SHEET 3 OF 8		

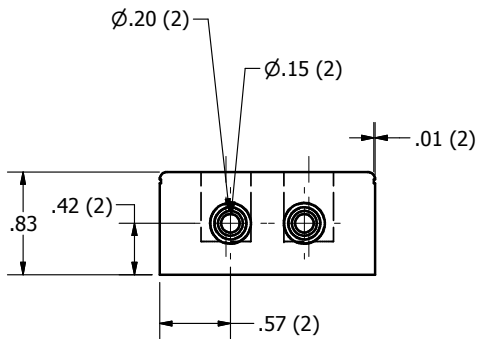
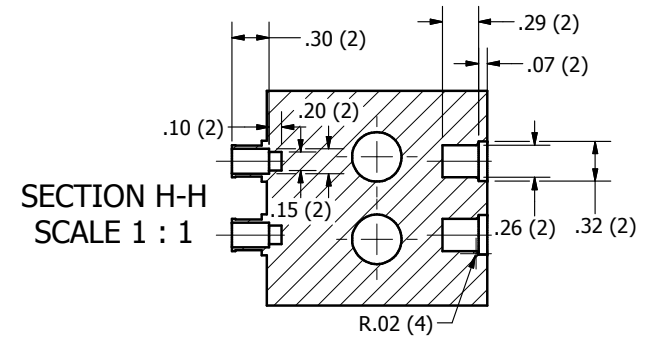
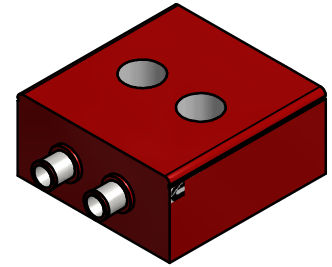
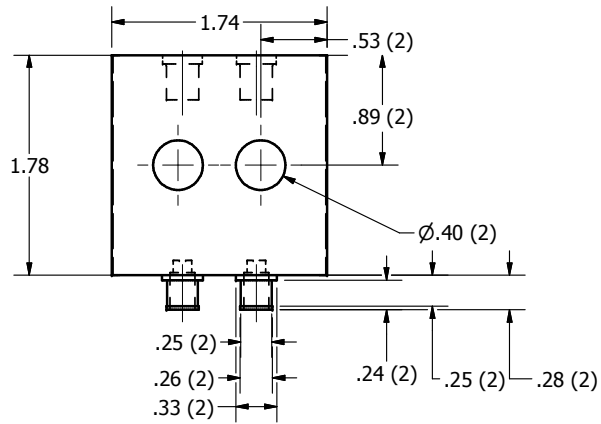


SECTION F-F
SCALE 1 : 1

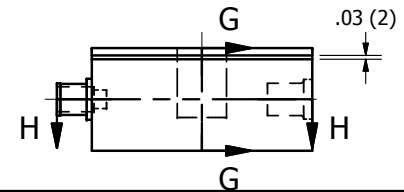
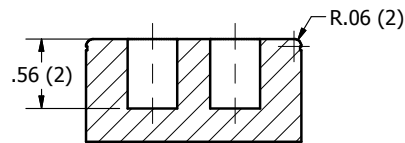


DRAWN eteague	12/3/2013	New Castle Career Center		
CHECKED		TITLE		
QA		Top Section		
MFG				
APPROVED				
		SIZE B	DWG NO Tire DE.	REV
		SCALE	SHEET 4 OF 8	

4 3 2 1



SECTION G-G
SCALE 1:1



B

B

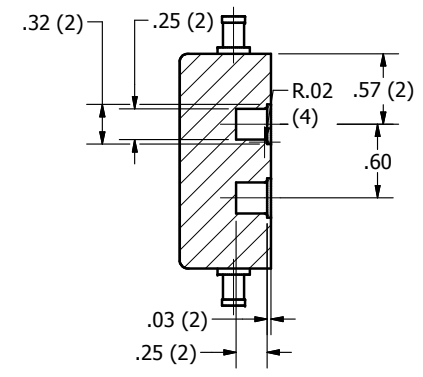
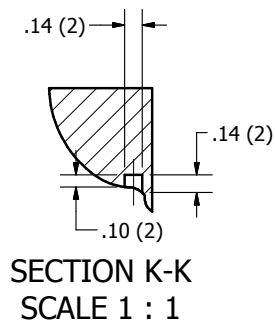
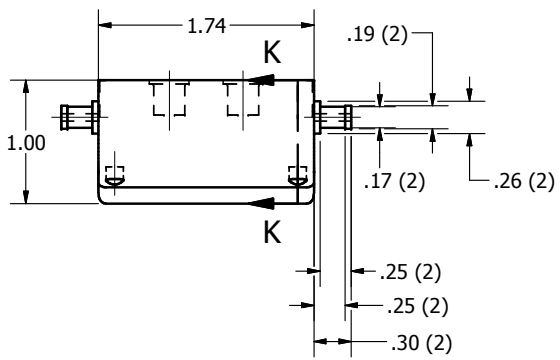
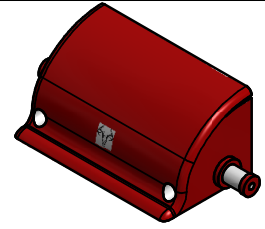
A

A

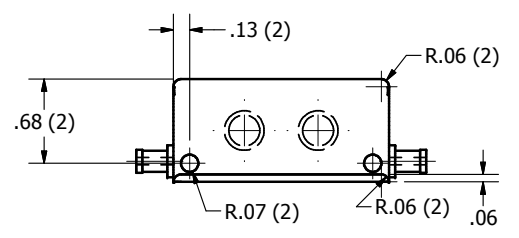
DRAWN eteague	12/3/2013	New Castle Career Center		
CHECKED		TITLE		
QA		Middle Body		
MFG		SIZE B	DWG NO Tire DE.	REV
APPROVED		SCALE	SHEET 5 OF 8	

4 3 2 1

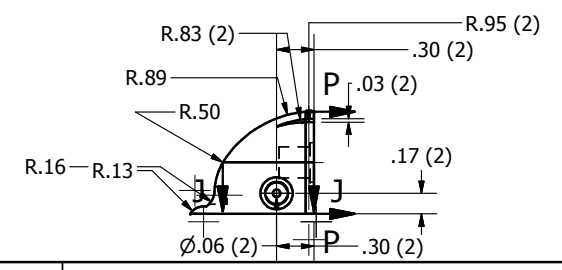
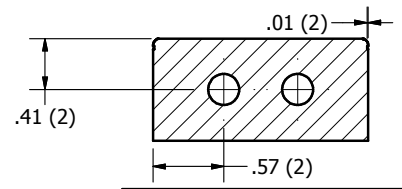
4 3 2 1



SECTION J-J
SCALE 1 : 1



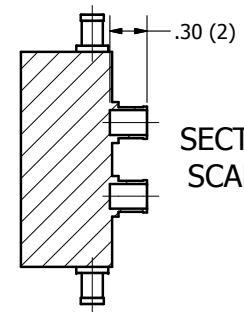
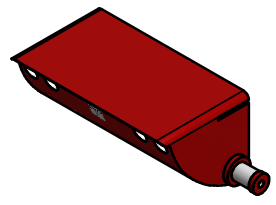
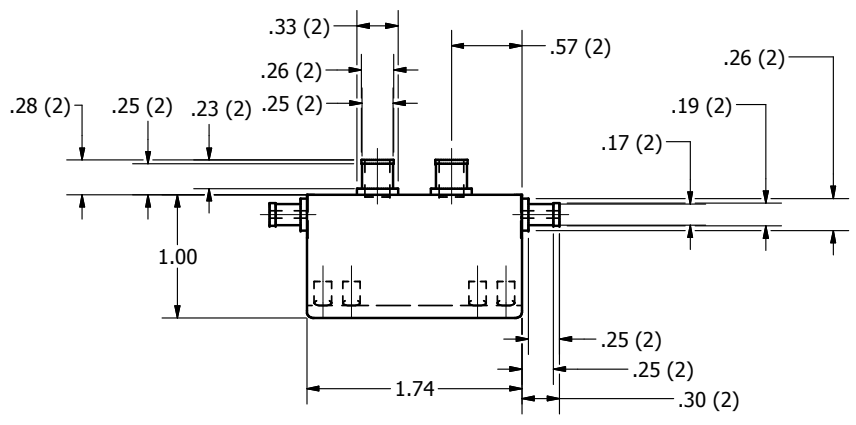
SECTION P-P
SCALE 1 : 1



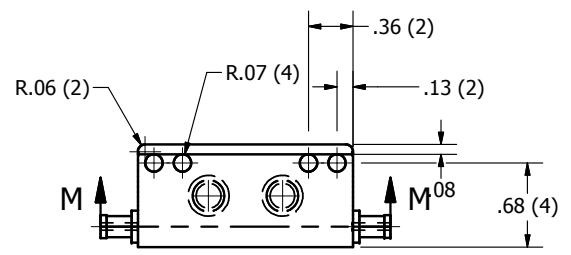
DRAWN eteague	12/3/2013	New Castle Career Center		
CHECKED		TITLE		
QA		Front Body		
MFG		SIZE B	DWG NO Tire DE.	REV
APPROVED		SCALE	SHEET 6 OF 8	

4 3 2 1

4 3 2 1

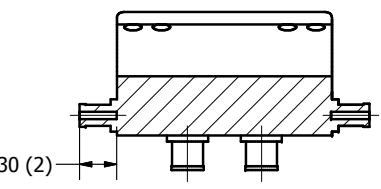
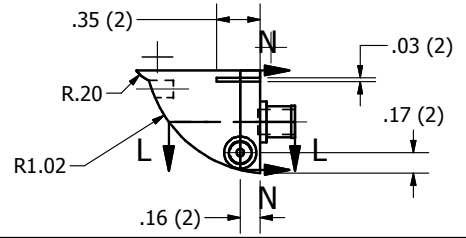
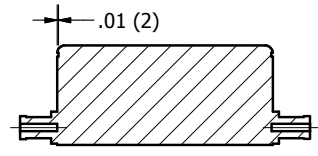


SECTION L-L
SCALE 1 : 1



SECTION M-M
SCALE 1 : 1

SECTION N-N
SCALE 1 : 1



B

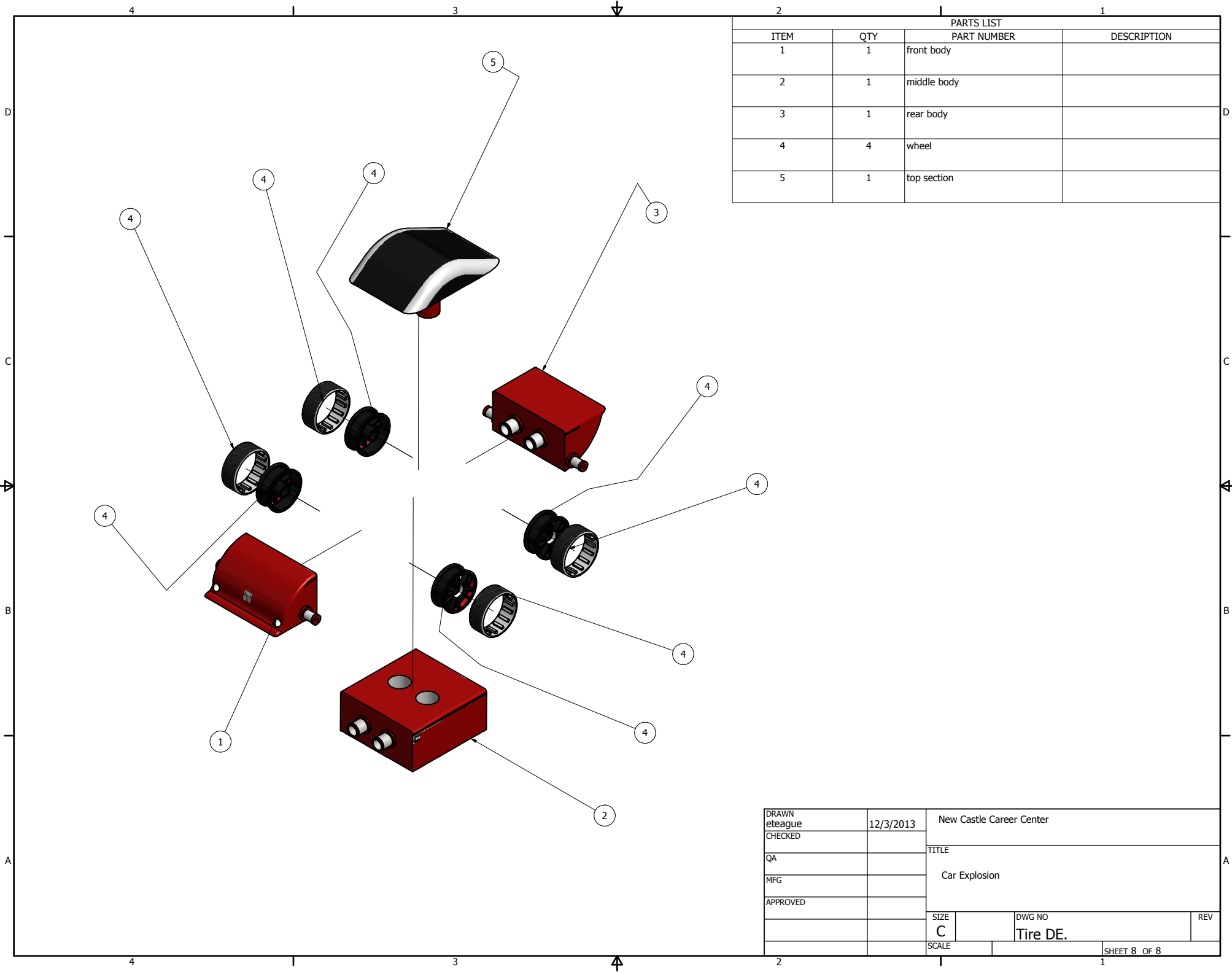
B

A

A

DRAWN eteague	12/3/2013	New Castle Career Center		
CHECKED		TITLE		
QA		Rear Body		
MFG		SIZE B	DWG NO Tire DE.	REV
APPROVED		SCALE	SHEET 7 OF 8	

4 3 2 1



PARTS LIST			
ITEM	QTY	PART NUMBER	DESCRIPTION
1	1		front body
2	1		middle body
3	1		rear body
4	4		wheel
5	1		top section

DRAWN	eteague	12/3/2013	New Castle Career Center	
CHECKED			TITLE	
QA			Car Explosion	
MFG				
APPROVED				
			SIZE	DWG NO
			C	Tire DE.
			SCALE	
			SHEET 8 OF 8	